

# LEO II

IP67 ADJUSTABLE BEAM DIRECTION INGROUND LIGHT

GKI222/3/5



GKI222



GKI223



GKI225/6

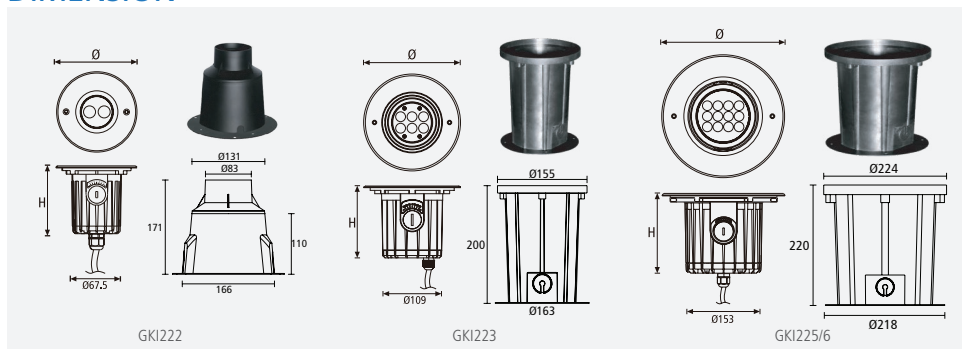


## FEATURES

- 316L Stainless Steel front cover
- Die cast aluminium housing
- OSRAM LED lamp source
- Tempered step glass T=8mm
- Moulding shaped seal gasket
- Built-in constant current LED driver(GKI225 RGBW RE-QUIRED 24V DC driver)
- LED lifespan: 50000 Hours @ L70, Ta 25°C
- Ta:-20°C to +40°C



## DIMENSION



## OPTIONS

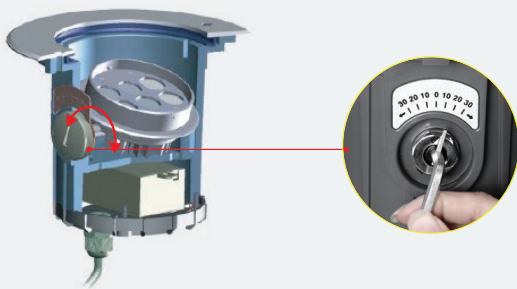
- DMX Controller for RGBW CRL03D4M

4-Channels LED colour-changing controller with remote



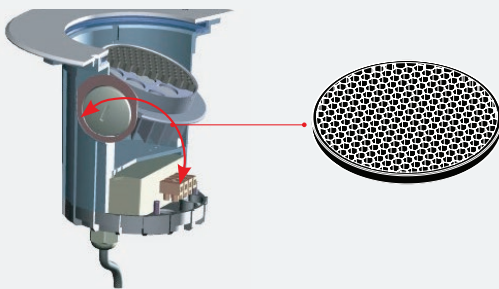
## TECHNICAL SPECIFICATIONS

MODEL NO.	INPUT VOLTAGE (V)	POWER (W)	LUMEN (lm)	COLOUR TEMPERATURE (K)	CRI	BEAM ANGLE (°)	DIMENSIONS (ØxH) (mm)	FITTING COLOUR	CARTON QUANTITY
GKI222 WW	230	1 x 3	300	3000	>80	24	116 x 98	Stainless Steel	8
GKI223 WW	230	6 x 1.2	570	3000	>80	24	173 x 128	Stainless Steel	8
GKI225 WW	230	12 x 1.5	1389	3000	>80	24	250 x 190	Stainless Steel	8
GKI226 RGBW	24 (DC)	12 x 2	1065	RGB + 3000	>80	30	250 x 190	Stainless Steel	8



### A simple wide angle adjustment

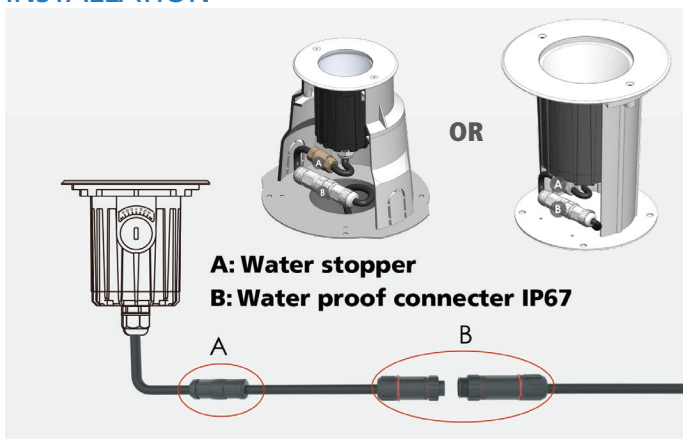
- Adjust the angle of light that best suits the installation environment



### Honey comb - Good choice for soft light

- The honey comb louvre is synchronized with the beam angle to provide a softer light

## INSTALLATION



## HONEYCOMB LOUVRE



ⓘ Specifications above are for reference only and may vary without prior notice