

NEWMAN

GIMBLE COB LED DOWNLIGHT

GDL801



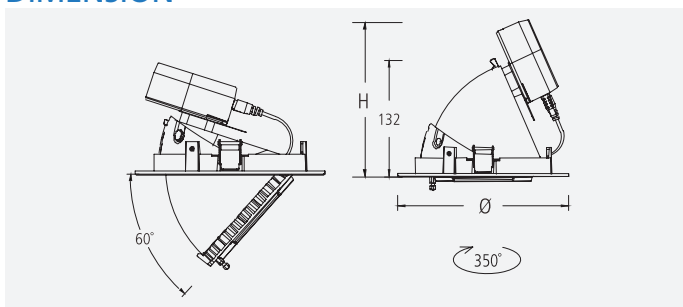
FEATURES

- Die-cast aluminium body
- Powder coated finish
- Texture glass diffuser
- LED driver included, pre-wired
- LED lifespan: 50000 Hours @L70, Ta 25°C
- Ta: -20°C to +40°C

OVERVIEW



DIMENSION



OPTIONS

- DIMMING:
 - Analogue dimming (Trailing edge, 1~10V)
 - Digital dimming (DSI, DALI)
- ADAPTOR:

ADP178-235 WH



TECHNICAL SPECIFICATIONS

MODEL NO.	INPUT VOLTAGE (V)	POWER (W)	LUMEN (lm)	COLOUR TEMPERATURE (K)	CRI	BEAM ANGLE (°)	DIMENSIONS (Ø×H) (mm)	CUT OUT SIZE(Ø) (mm)	FITTING COLOUR	CARTON QUANTITY
GDL801/38 WW	230	38	3700	3000	>90	60	195 x 175	170	White	8
GDL801/38 CW	230	38	3800	4000	>90	60	195 x 175	170	White	8

Specifications above are for reference only and may vary without prior notice