

SATURN

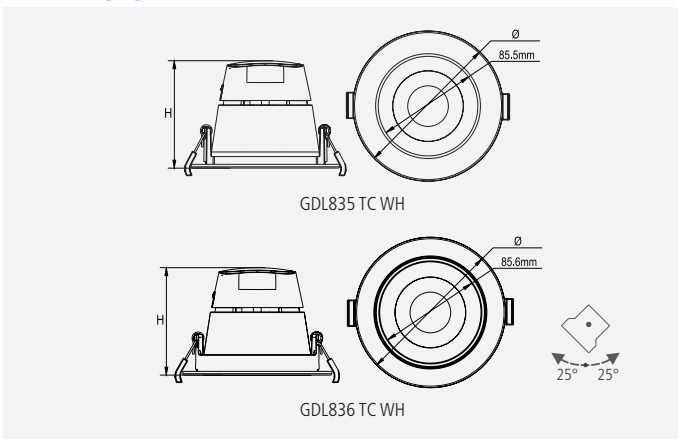
FIXED/ TILTABLE DRIVER BUILT IN LOW GLARE LED DOWNLIGHT

GDL835/6

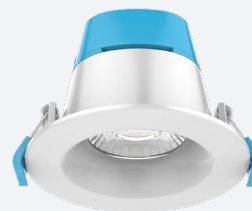

FEATURES

- PBT+AL1060+PC body
- High transmittance PC lens
- Built-in trailing edge dimmable driver
- Select colour temperature with DIP switch
- LED lifespan: 50000 Hours @L70, Ta 25°C
- Ta: -20°C to +40°C

DIMENSION



OVERVIEW


 GDL835
FIXED

 GDL836
TILT


TECHNICAL SPECIFICATIONS

MODEL NO.	INPUT VOLTAGE (V)	POWER (W)	LUMEN (lm)	COLOUR TEMPERATURE (K)	CRI	BEAM ANGLE (°)	DIMENSIONS (Ø×H)	CUT OUT SIZE (Ø) (mm)	FITTING COLOUR	CARTON QUANTITY
GDL835 TC WH	230	9	800/850/800	3000/4000/5700	>82	36	103×74.5	92	White	32
GDL836 TC WH	230	9	800/850/800	3000/4000/5700	>82	36	103×74.5	92	White	32

Specifications above are for reference only and may vary without prior notice