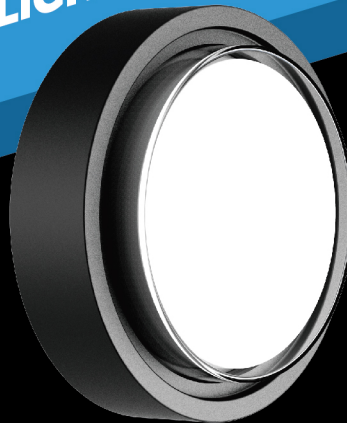


Designed in New Zealand for New Zealand

CHEROKEE

GLW715 IP65 LED BULKHEAD LIGHT



GWL715RD



GWL715SQ

An elegant looking out door wall / ceiling mounted light in black finish with 12w LED lamp and integral electronic driver.

Die cast aluminium body with polycarbonate diffuser has a very high ingress protection of IP65 rating with an additional IK rating of 8 against vandalism.

Fitting best suited in residential and commercial applications.



CHEROKEE

IP65 LED BULKHEAD LIGHT

GLW715



GWL715RD



GWL715SQ

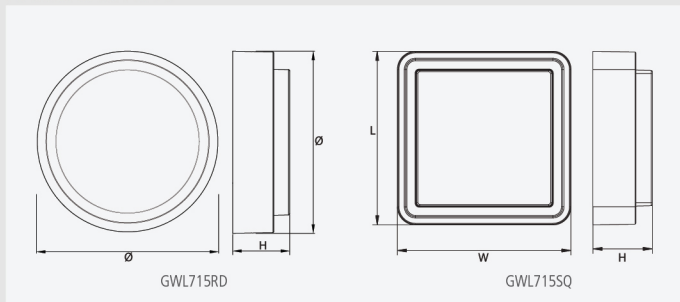


FEATURES

- Die-casting aluminium body
- Powder coated finish
- Clear polycarbonate diffuser
- Constant current LED driver fitting
- LED lifespan: 50000 Hours @ L70, Ta 25°C
- Ta: -20 to +40°C



DIMENSION



TECHNICAL SPECIFICATIONS

MODEL NO.	INPUT VOLTAGE (V)	POWER (W)	LUMEN (lm)	COLOUR TEMPERATURE (K)	BEAM ANGLE (°)	DIMENSIONS (Ø×H)/(L×W×H) (mm)	FITTING COLOUR	CARTON QUANTITY
GWL715RD CW BK	230	12	815	4000	120	230 x 72	Sanded Black	12
GWL715SQ CW BK	230	12	815	4000	120	210 x 210 x 72	Sanded Black	12