

R80

LED DIRECTIONAL R LAMP

R80



TUBULAR

LED SMD TUBULAR LAMP

LT409



LT409/B22



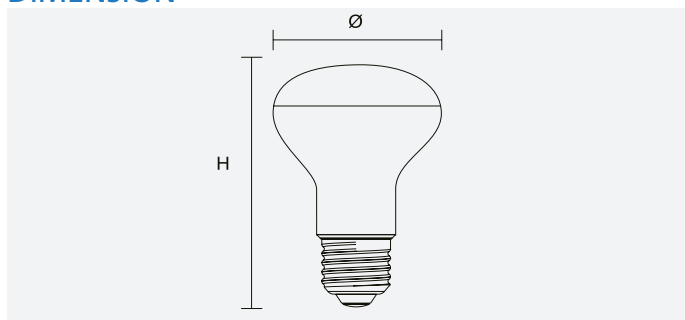
LT409/E27



FEATURES

- Poly covered aluminium body
- Opal polycarbonate diffuser
- High efficiency LED chips
- Built-in LED driver
- Suits most R lamp fittings

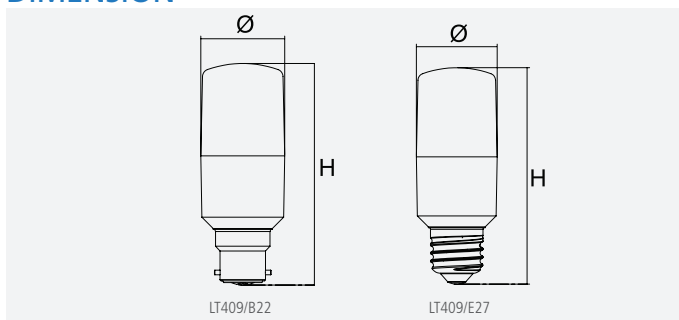
DIMENSION



FEATURES

- Poly covered aluminium body
- Opal polycarbonate diffuser
- High efficiency LED chips
- Wide beam angle
- Built-in LED driver
- Suits most CFL lamp fittings

DIMENSION



TECHNICAL SPECIFICATIONS

MODEL NO.	INPUT VOLTAGE (V)	POWER (W)	LUMEN (lm)	COLOUR TEMPERATURE (K)	BEAM ANGLE (°)	DIMENSIONS (Ø×H) (mm)	LAMP BASE	CARTON QUANTITY
LR80 9W WW	230	9	850	3000	120	80 x 113	E27	100
LR80 9W DL	230	9	850	6000	120	80 x 113	E27	100
LR80 12W WW	230	12	1050	3000	120	80 x 113	E27	100
LR80 12W DL	230	12	1050	6000	120	80 x 113	E27	100
LT409/27B22	230	9	850	3000	270	40 x 106	B22	100
LT409/65B22	230	9	950	6000	270	40 x 106	B22	100
LT409/27E27	230	9	850	3000	270	40 x 107	E27	100
LT409/65E27	230	9	950	6000	270	40 x 107	E27	100